

**"It doesn't get any simpler"**

Environmental  
Products & Services Ltd.

[www.EPAS-Ltd.com](http://www.EPAS-Ltd.com)

# GreaseShield™ Defender

Automatic  
Solids Removal  
and Dewatering  
– No Moving  
Parts

Automatic  
Recirculating Filter  
– No Membranes  
or Consumables  
to Replace

- Multifunctional Solids  
Interceptor and Mop Sink →
- No Membrane Filter →
- No Energy Costs →
- No Moving Parts →
- No Problems →



- ← Fully Automatic
- ← Self Cleaning
- ← No Pumping Required
- ← No Heating Element
- ← No Chemicals
- ← No Enzymes

Automatic  
Fats, Oils and  
Grease Removal  
– PLC Controlled  
to Work for You

## AWARDS

- 2010 Green Hospitality Award for Innovation - Ireland
- 2010 Innovation in Industry Award - N.I
- 2009 Eco Innovation Award - France
- 2009 Best Equipment Product - Ireland
- 2008 Best Catering Equipment Award - Ireland

## Key Benefits

- ✓ GreaseShield is the only proactive greasetrap in the world to deal with emulsified FOGs. Automatically separates grease from effluent to achieve < 100 ppm FOG Discharge. GreaseShield removes entrained solids to reduce BOD, COD and SS loadings.
- ✓ Eliminates frequent pumping costs, harvesting a source of renewable energy. Protects the environment by protecting the drainage and watercourse systems.
- ✓ Self emptying and self cleaning. Reduce loading on waste water treatment plants and pumping stations.
- ✓ No need for staff to access the internal of the GreaseShield is required. User Friendly! Odour Free!
- ✓ No need to purchase enzymes or biological agents! No heating elements. Low operating costs.
- ✓ Reduce CO<sub>2</sub> emissions and avoid loss of a renewable energy source caused by pumping out greasetraps.
- ✓ Award Winning Modular Technology; Small, compact and easily installed in any Deli or Kitchen!
- ✓ Eco friendly, sustainable design - 99% recyclable!

Members of



ISO Certifications

Quality ISO 9001:2008 Environment ISO 14001:2004 Health & Safety OHSAS 18001:2007



5 Shepherd's Drive  
Carnbane Industrial Estate  
Newry, Co. Down  
N. Ireland, BT35 6JQ  
Tel: +44 (0) 28 3083 3081  
Fax: +44 (0) 28 3025 7556

**Award Winning Technology**

[www.EPAS-Ltd.com](http://www.EPAS-Ltd.com)



**Material:** Stainless 304 and Polypropylene

MODELS	FLOW RATE	DIMENSIONS Height x Length x Width
GS 1500	1.50 Litres Per Second	} 568mm x 1030mm x 441mm (with castors) } 540mm x 1030mm x 441mm (no castors)
GS 2000	2.00 Litres Per Second	

**FOG Removal Rate:**  
**GS 1500** Up to 4 litres FOGs per hour  
**GS 2000** Up to 6 litres FOGs per hour

**FOG Removal Means:**  
**GS 2000** • 385mm Long x 180mm Diameter  
**GS 1500** • 175mm Long x 180mm Diameter

**Properties:**

- Oleophilic, Zero Maintenance Roller
- Wiped by Silicone Rubber Blade With Anti Static Properties
- Formed to 77 Shore Hardness For Durability
- Resistant to Fats, Oils and Greases; Spices; Alkalis and Acids in pH range 4 to 10

**Fats, Oils and Grease (FOGs) Cartridge Capacity:**  
**GS 2000** 6 Litres of FOGs  
**GS 1500** 3 Litres of FOGs

**Internal Cleaning Cycles:** Incorporated As Standard - No Need To Desludge

**External Solids Cartridge Storage Capacity:** 25 Litres

**PLC Control** Control Smart Programmable Relay - Energy Conservation

**Flexibility in FOG & Solids Removal Operating Sequences:** FOG & Solids Removal can operate to specific customers requirements (opening hours/levels of contamination to be treated) and offers the flexibility of being programmed for specific needs

**Motors - Single Phase 220 Volts:** 1 x 24 watt = 24 watt per hour, 230v, 50Hz with automatic thermal safety protection cut-out and reset [125 Celsius +/- 10%]

**Electrical Installation Requirements:** A Single Phase Dedicated 13 Amp Masterseal IP56 Unswitched one gang Socket (MK56480).

**Drainage & Plumbing Requirements:** 110mm Gully Trap to Drain to be located 250mm to left hand side of GreaseShield unit + 3/4" BSP Connection to both Mains Cold and Hot Water Supply

## Managed Solutions

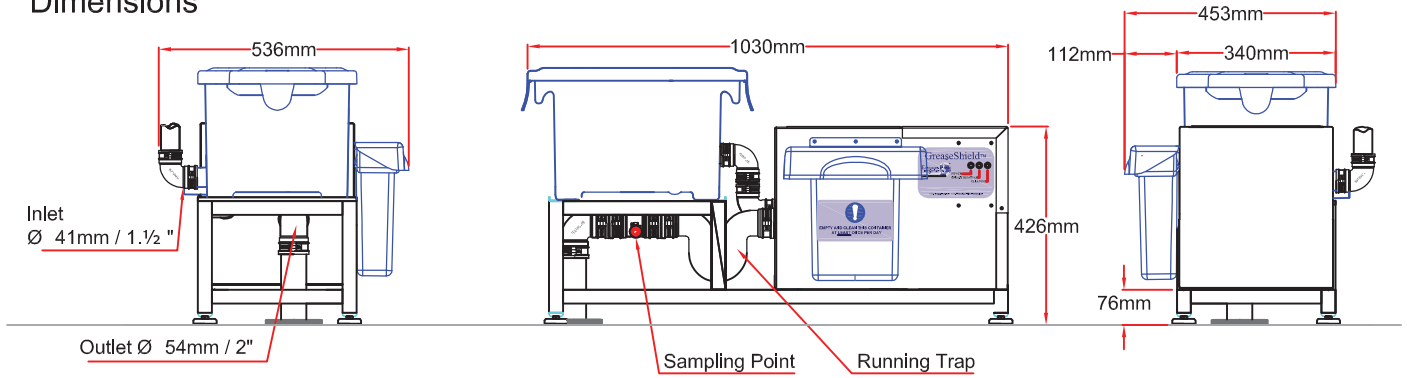
*Giving You Peace of Mind and Leaving You Free to Concentrate on Your Business!*

Dispenses Bio Nutrients to Bio Remediate and deal with years of neglect in the Drainage System

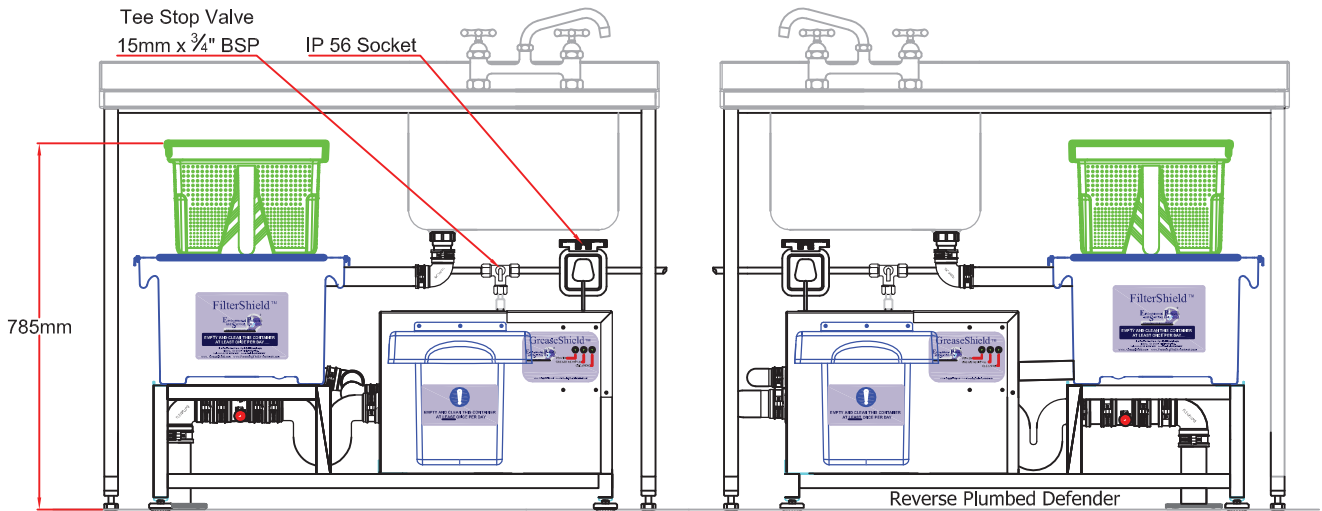
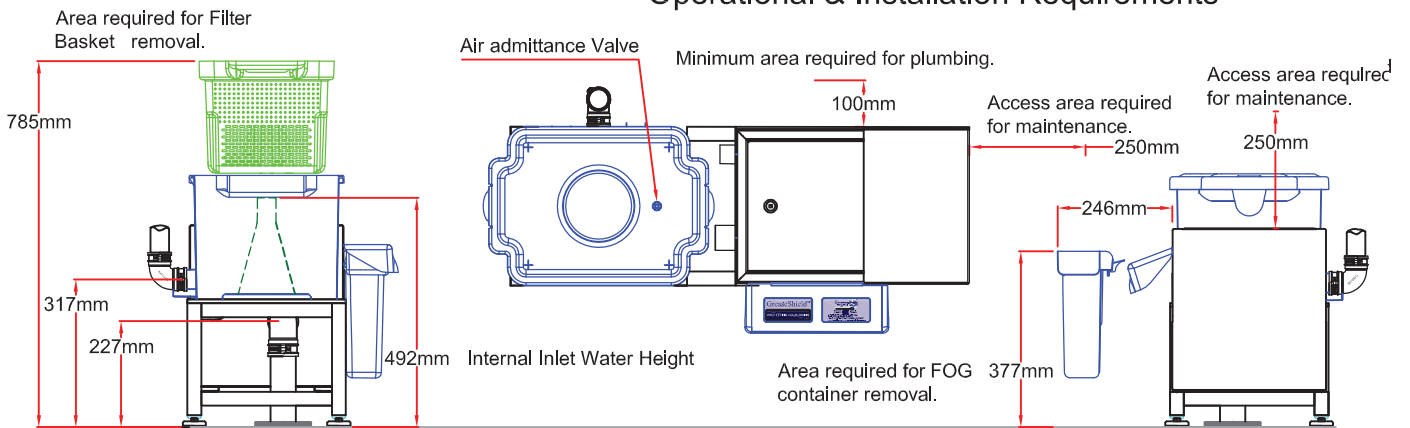
Environmental Products & Services can offer a complete low cost solution to your drainage problems including ongoing maintenance.

# GreaseShield™ Defender GS1500

## Dimensions



## Operational & Installation Requirements

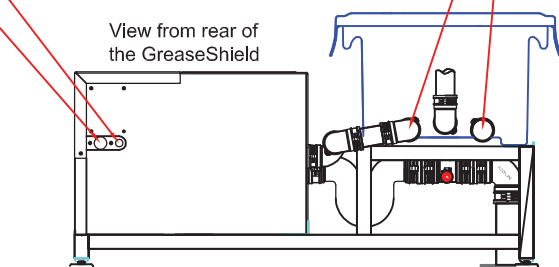


Twin outlet, to facilitate reverse plumbing application

Hot Water to be connected with the 3/4" BSP Hose provided

IP56. Socket to be fitted within 1.5 Metres from this point. Plug fuse not to exceed 5Amps.

View from rear of the GreaseShield

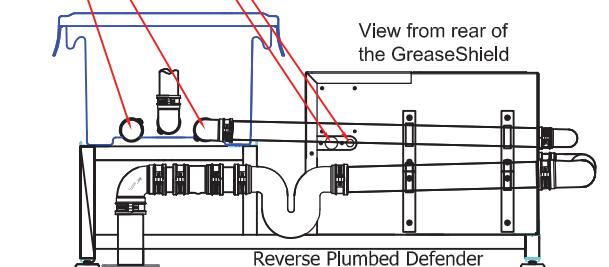


Twin outlet, to facilitate reverse plumbing application

Hot Water to be connected with the 3/4" BSP Hose provided

IP56. Socket to be fitted within 1.5 Metres from this point. Plug fuse not to exceed 5Amps.

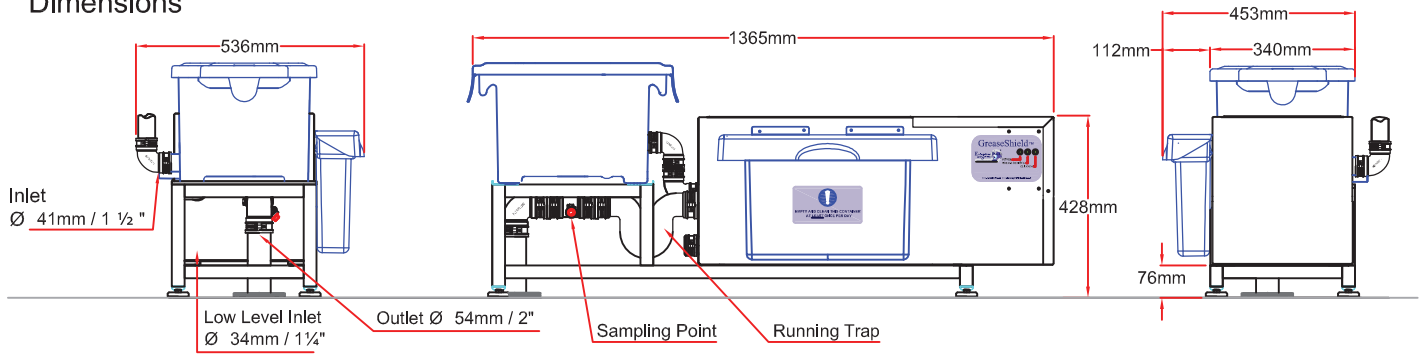
View from rear of the GreaseShield



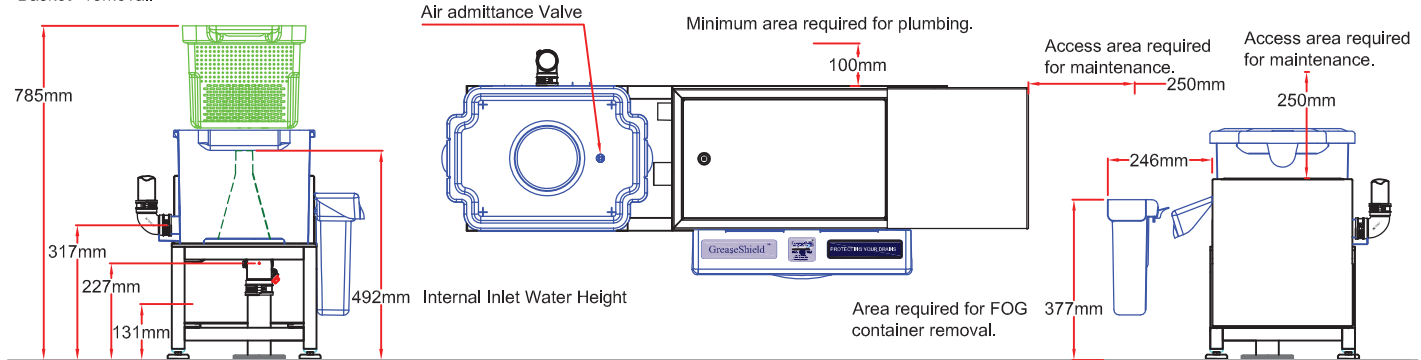
Please see full range of FlexiPlumb at: [www.EPAS-Ltd.com](http://www.EPAS-Ltd.com)  
 Please refer to the O&M manual for installation requirements.  
 Please refer to parts numbering schedule

# GreaseShield™ Defender GS2000

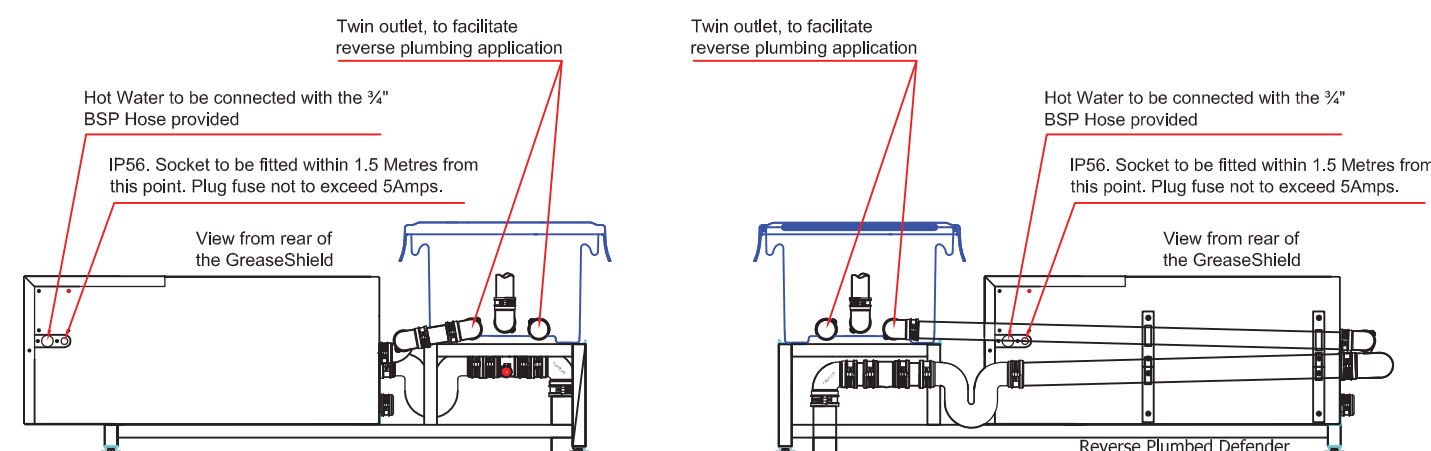
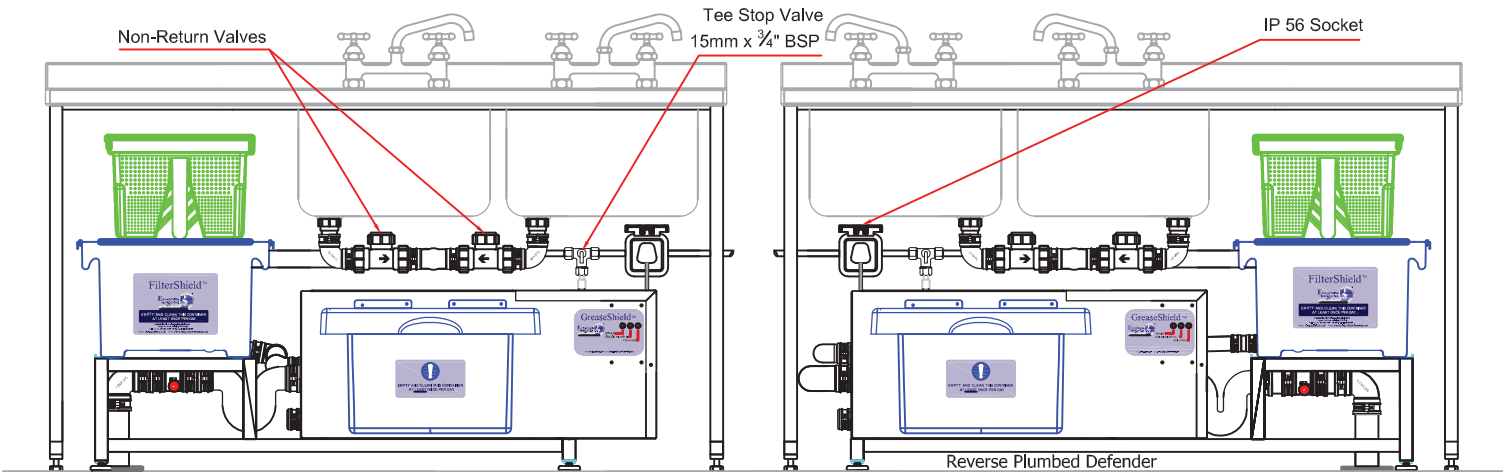
## Dimensions



Area required for Filter Basket removal.



## Operational & Installation Requirements



Please see full range of FlexiPlumb at: [www.EPAS-Ltd.com](http://www.EPAS-Ltd.com) .  
Please refer to the O&M manual for installation requirements.  
Please refer to parts numbering schedule